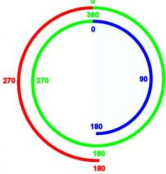


SPID Azimuth antenna rotator Model: SPID-RAK



Normal 360
- 180
or
+540 from
North 0
for
total of 720



Specifications: SPID RAK Azimuth Rotator	RAK @ 12V-DC	RAK @ 18V-DC
Turning torque in-lbs/Nm	1,327 in lb/150 Nm	2,734 in lb/309 Nm
Brake Torque in lbs/Nm	13,984 in lb/1,580 Nm	13,984 in lb/1,580 Nm
Brake Construction	Double Worm Gears	Double Worm Gears
Vertical Load lbs/Kg	>639 lbs/290 Kg	>639 lbs/290 Kg
Rotation Speed (360 Deg)	120 sec	90 sec
Resolution	1.0 deg	1.0 deg
Rotation Range Az/EI	360 deg	360 deg
Weight lbs / Mass Kg	20 lbs/ 9 Kg	20 lbs/ 9 Kg
Position Sensor	Reed Switch	Reed switch
Mast size inches/mm bottom/top mount	2.6 inch / 66 mm 2 inch / 51 mm	2.6 inch / 66 mm 2 inch / 51 mm
Control cable core	4	4
Environment	Ground / Mobile free air and / or Sheltered	
MTBF	15000 hours @ -20 to 55°C	

Alle leveringen dienen te worden betaald binnen 30 dagen na factuurdatum. Voor alle door ons gesloten overeenkomsten, leveringen en diensten gelden onze algemene verkoop en leveringsvoorwaarden welke op www.rfhamdesign.com zijn vermeld.
All transactions, deliveries and services are subject to the terms and conditions of delivery which can be found at www.rfhamdesign.com

Specifications Controller:			
Supply voltage	12 Volts DC	18 Volts DC	
Current consumption	3.....5 A	3.....6 A	
Supplied including	<ul style="list-style-type: none"> • Digital controller • Build in PC track interface (USB) • Software • Mouse • USB-cable • Fast setup sheet 		
Dimensions	220x125x40mm		
Weight:	0.9 Kg		
Case	Aluminium / steel		
Environment	Ground / Mobile Sheltered		
MTBF	15000 hours @ -5 to +40°C		
Display	4 digit (green)		
Control cable 4-core	Connection inc. 1* 4 pin-DIN connector		

RF HAMDESIGN & Spid Controllers will support the following software:

- ✓ PST Rotor (Also /HR controllers MD-0X)
- ✓ MacDoppler (MacDoppler Ham Radio Satellite Tracking for Macintosh)
- ✓ N1MM Logger
- ✓ Ham Radio Deluxe
- ✓ Logic 7 Version => 7.0.45
- ✓ Orbiton Satallite Tracking
- ✓ Gpredict Satallite Tracking Linux and MAC
- ✓ SatPC32 Satallite Tracking - works on windows only
- ✓ DXLab (DX View)
- ✓ TRXmanager

Most software should also work if it supports Yaesu type rotators !

Note:

#1 Software may have new versions and some options may have changed

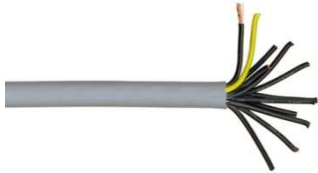
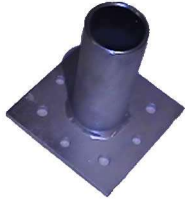

#2 We have not tested all this software !

#3 Most software is for use with Rot2Prog (Dual-Ax rotor AZ&EL), but some also work with the single Ax rotor system Rot1Prog.

Alle leveringen dienen te worden betaald binnen 30 dagen na factuurdatum. Voor alle door ons gesloten overeenkomsten, leveringen en diensten gelden onze algemene verkoop en leveringsvoorwaarden welke op www.rfhamdesign.com zijn vermeld.
All transactions, deliveries and services are subject to the terms and conditions of delivery which can be found at www.rfhamdesign.com

RF HAMDESIGN is ingeschreven in het handelsregister K.v.K. te Leeuwarden Nr: 01107005
RF HAMDESIGN is written in at the Chamber of Commerce in Leeuwarden, the Netherlands Nr: 01107005

Available accesories

Accessories	Type	
Control cable 4-core (4x1,5sq.mm) or (4x0.7sq.mm) Reel: 25meter / 50 meter	CC4-002/25	
SPID ADAPTOR Plate Used to Mount the rotator at a base-plate (Note: RAEL rotor needs 50mm pipe to connect to the adaptor)	ALPHA-ADAPT	
Power Supply Unit 13,5 – 16,5 Volt / 10 Amp (150W) Dim: 19 x 11 x 5 cm (LxBxH)	PW-15015LC	

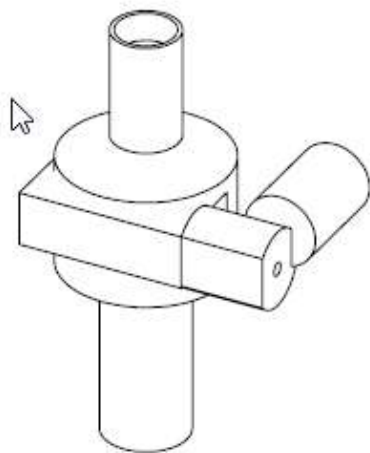
Note: Prices can be found in our price list, download link at our web-site: www.rfhamdesign.com

All SPID Rotators are supplied incl:

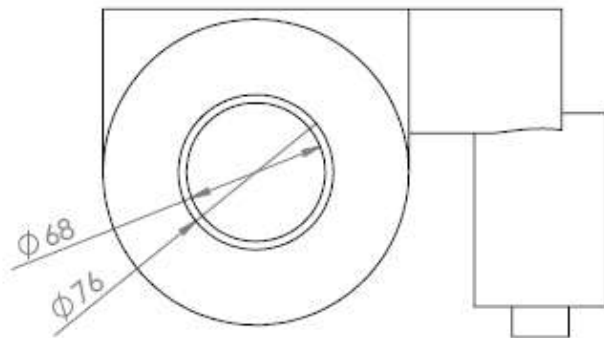
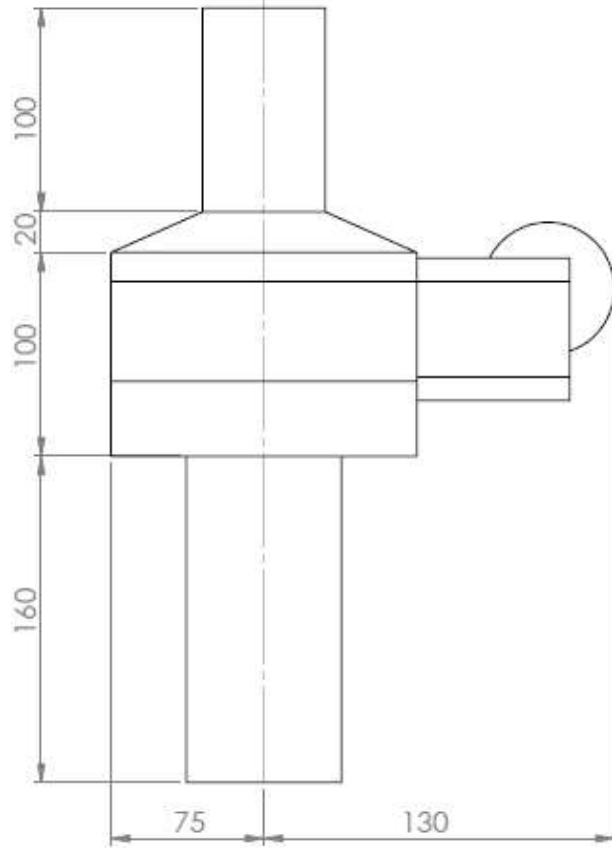
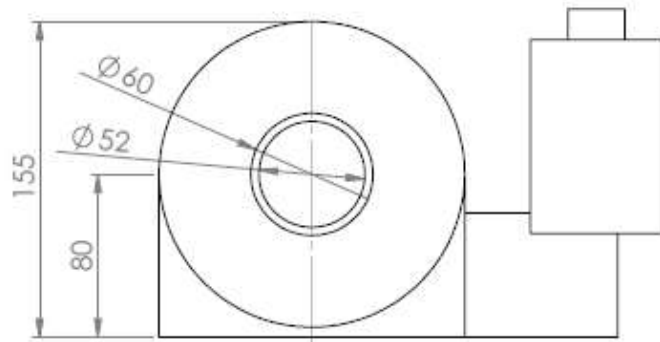
- ✓ Controller incl. build in track interface (USB)
- ✓ Special mouse to control AZ / AZ & EL Ax
- ✓ USB Cable
- ✓ Connectors
- ✓ CD-Rom
- ✓ Quick start guide

Alle leveringen dienen te worden betaald binnen 30 dagen na factuurdatum. Voor alle door ons gesloten overeenkomsten, leveringen en diensten gelden onze algemene verkoop en leveringsvoorwaarden welke op www.rfhamdesign.com zijn vermeld.
 All transactions, deliveries and services are subject to the terms and conditions of delivery which can be found at www.rfhamdesign.com

RF HAMDESIGN is ingeschreven in het handelsregister K.v.K. te Leeuwarden Nr: 01107005
 RF HAMDESIGN is written in at the Chamber of Commerce in Leeuwarden, the Netherlands Nr: 01107005



ROTOR RAK
Dimension: mm

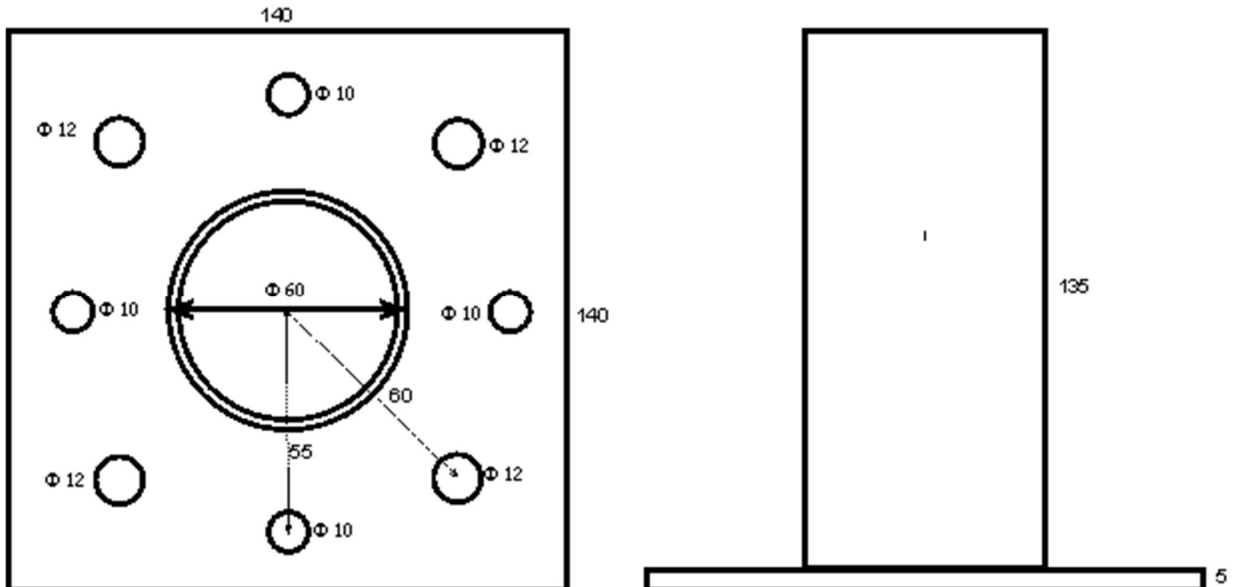


Alle leveringen dienen te worden betaald binnen 30 dagen na factuurdatum. Voor alle door ons gesloten overeenkomsten, leveringen en diensten gelden onze algemene verkoop en leveringsvoorwaarden welke op www.rfhamdesign.com zijn vermeld.
All transactions, deliveries and services are subject to the terms and conditions of delivery which can be found at www.rfhamdesign.com

RF HAMDESIGN is ingeschreven in het handelsregister K.v.K. te Leeuwarden Nr: 01107005
RF HAMDESIGN is written in at the Chamber of Commerce in Leeuwarden, the Netherlands Nr: 01107005

Dimension SPID ADAPTOR Plate

This adaptor can be used when the SPID AZ rotator will be mounted at a flat plate in a tower or base plate



Alle leveringen dienen te worden betaald binnen 30 dagen na factuurdatum. Voor alle door ons gesloten overeenkomsten, leveringen en diensten gelden onze algemene verkoop en leveringsvoorwaarden welke op www.rfhamdesign.com zijn vermeld.
All transactions, deliveries and services are subject to the terms and conditions of delivery which can be found at www.rfhamdesign.com

RF HAMDESIGN is ingeschreven in het handelsregister K.v.K. te Leeuwarden Nr: 01107005
RF HAMDESIGN is written in at the Chamber of Commerce in Leeuwarden, the Netherlands Nr: 01107005